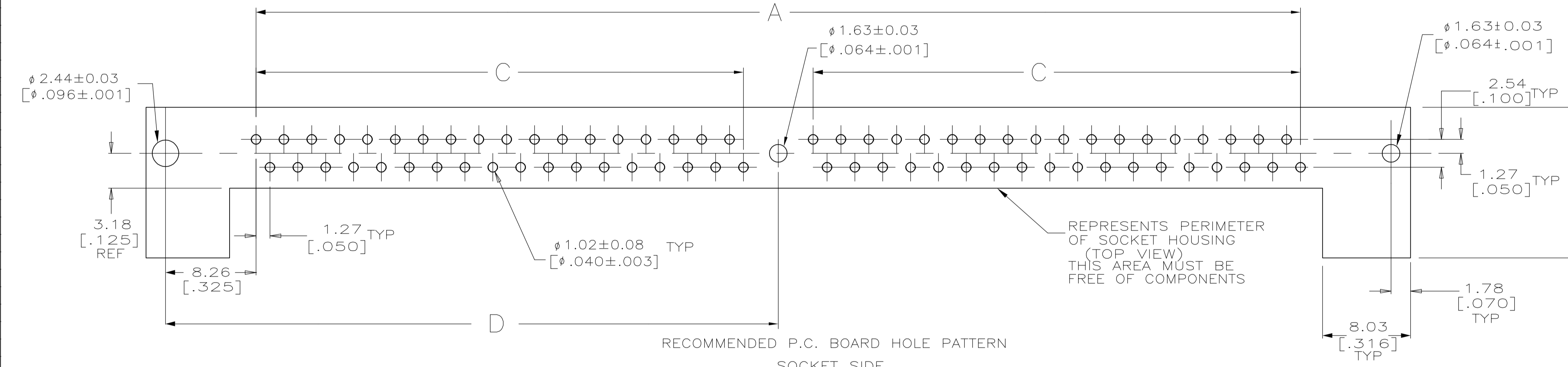
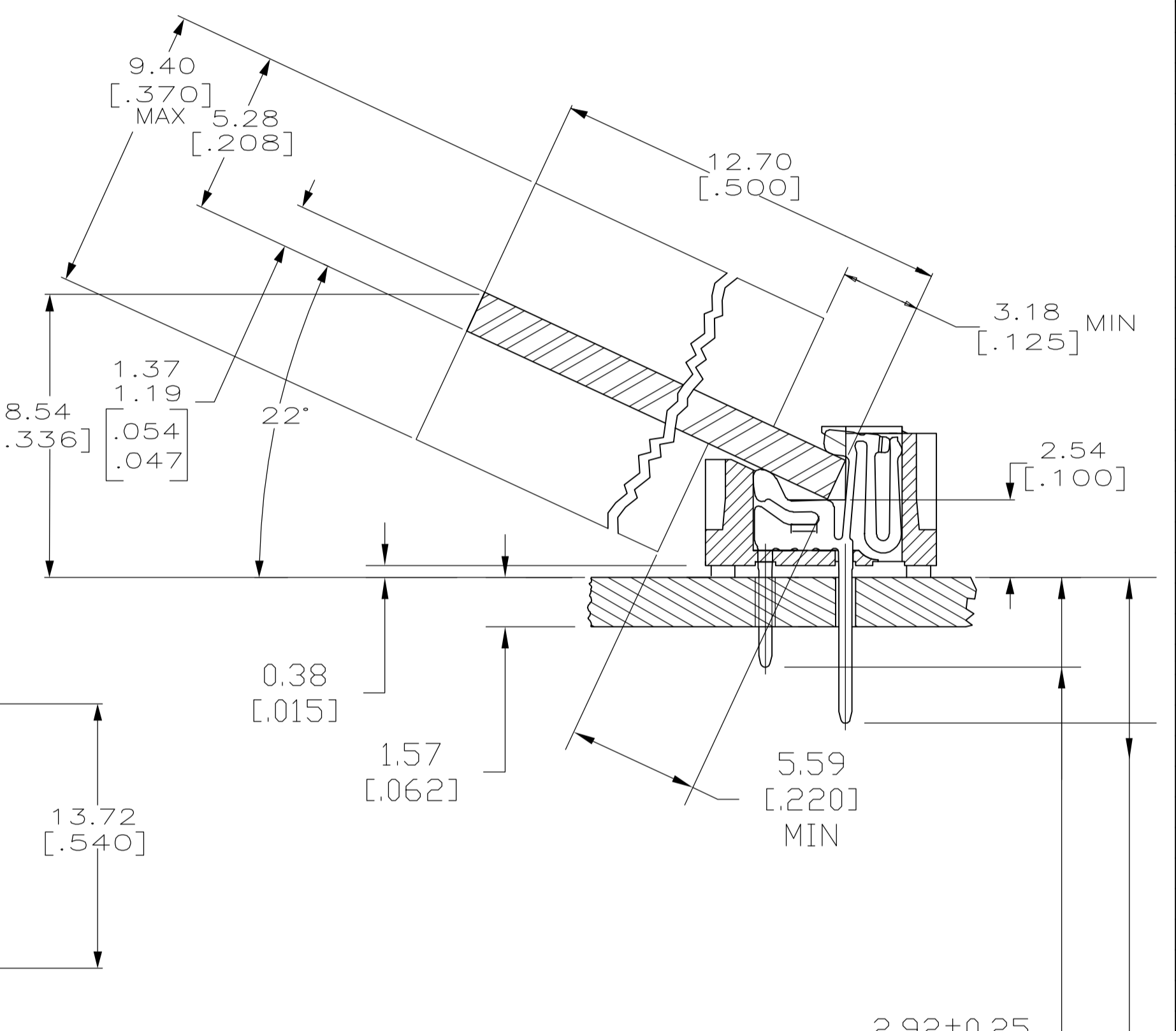
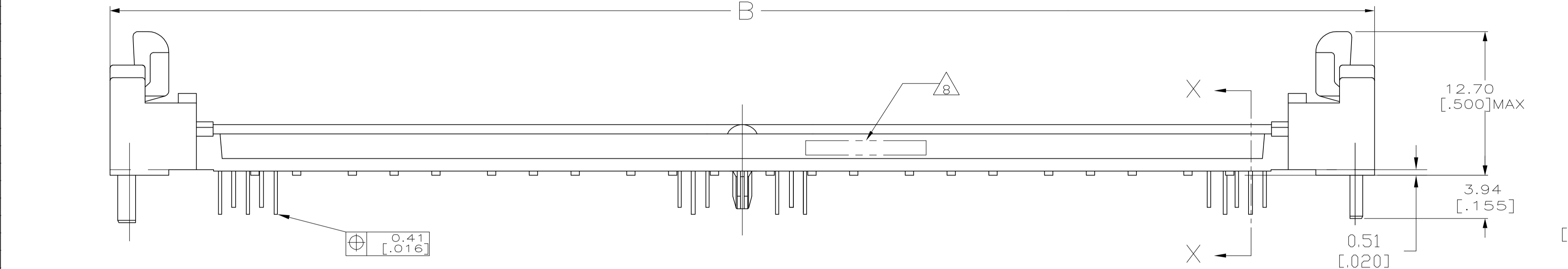
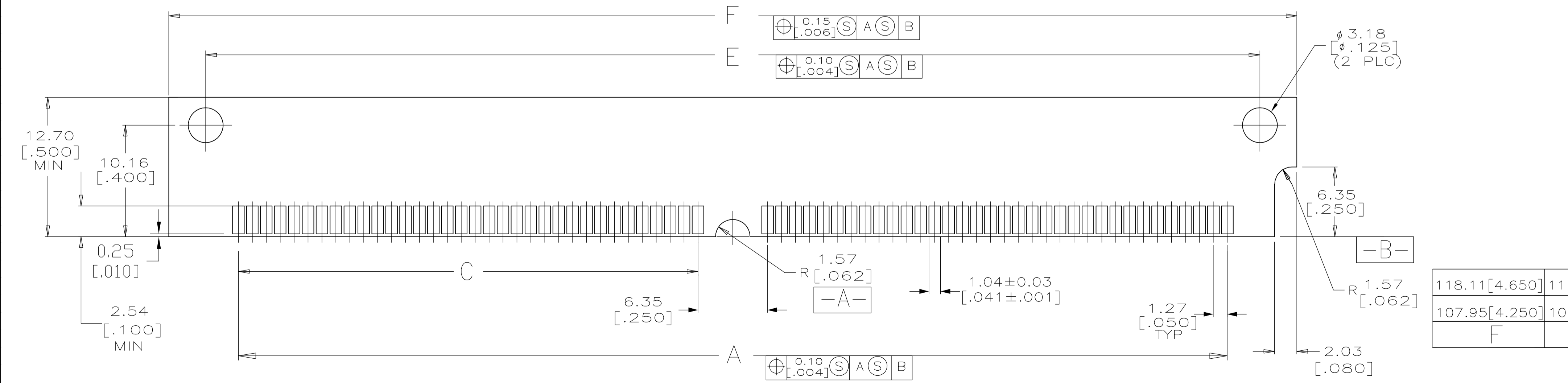


- △ HOUSING-MATERIAL : LIQUID-CRYSTAL-POLYMER.
- △ CONTACT-MATERIAL : PHOS. BRONZE.
- △ LATCH-MATERIAL : STAINLESS STEEL
- △ CONTACT-PLATE: 0.00508[.000200] MIN. TIN/LEAD OVER 0.00127 [.000050] MIN NICKEL.
- 5. IN ADDITION TO THOSE RECOMMENDED "SIMM" P.C. BOARD DIMENSIONS AND TOLERANCES SHOWN, ALL JEDEC SPECIFICATIONS APPLY AS SHOWN ON MO-116, ISSUE A.
- 6. RECOMMENDED MATING S.I.M.M. TAB METALLURGY: BASE METAL-COPPER. PLATING TO BE 0.00762[.000300] MIN TIN/LEAD OVER 0.00127[.000050] MIN NICKEL.
- △ 'S' IDENTIFIER LOCATED APPROXIMATELY AS SHOWN.
- △ DATE CODE INFORMATION (YEAR WEEK), LOCATED APROXIMATELY AS SHOWN ON OPPOSITE SIDE ONLY.



REPRESENTS PERIMETER OF SOCKET HOUSING (TOP VIEW) THIS AREA MUST BE FREE OF COMPONENTS

SECTION X-X
 SCALE 5:1
 (BOARD SHOWN FOR REF ONLY)



| | | | | | | | |
|---------------|---------------|--------------|--------------|---------------|---------------|------------|----------|
| 118.11[4.650] | 111.35[4.384] | 60.96[2.400] | 49.53[1.950] | 125.48[4.940] | 105.41[4.150] | 80 | 822134-4 |
| 107.95[4.250] | 101.19[3.984] | 55.88[2.200] | 44.45[1.750] | 115.32[4.540] | 95.25[3.750] | 72 | 822134-3 |
| F | E | D | C | B | A | NO. OF POS | PART NO |

THIS DRAWING IS A CONTROLLED DOCUMENT.

| | | | | | | | | |
|-------------------------|--|-----------|-----------|-----------|--------------------|-----------|------------|---------|
| DIMENSIONS: mm [INCHES] | TOLERANCES UNLESS OTHERWISE SPECIFIED: | 0 PLC ± - | 1 PLC ± - | 2 PLC ± - | 3 PLC ± 0.13[.005] | 4 PLC ± - | ANGLES ± - | FINISH |
| | | | | | | | | 1 2 3 4 |

APPROVED: M. YFOMANS, DATE: 07JAN05, NAME: M. YFOMANS, PRODUCT SPEC: CONNECTOR, MICRO-EDGE, .050, LP, TIN PL, W/METAL LATCH, APPLICATION SPEC: -

SIZE: A1, CASE CODE: 00779, DRAWING NO: 822134, WEIGHT: -

CUSTOMER DRAWING, SCALE: 5:1, SHEET: 1 OF 1, REV: S